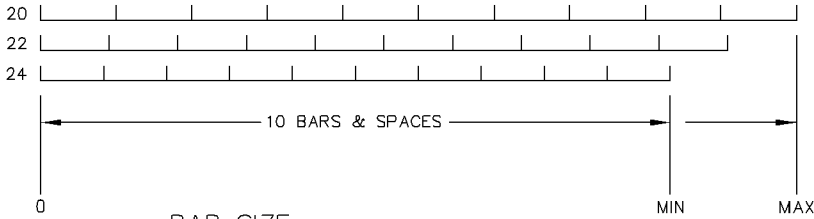
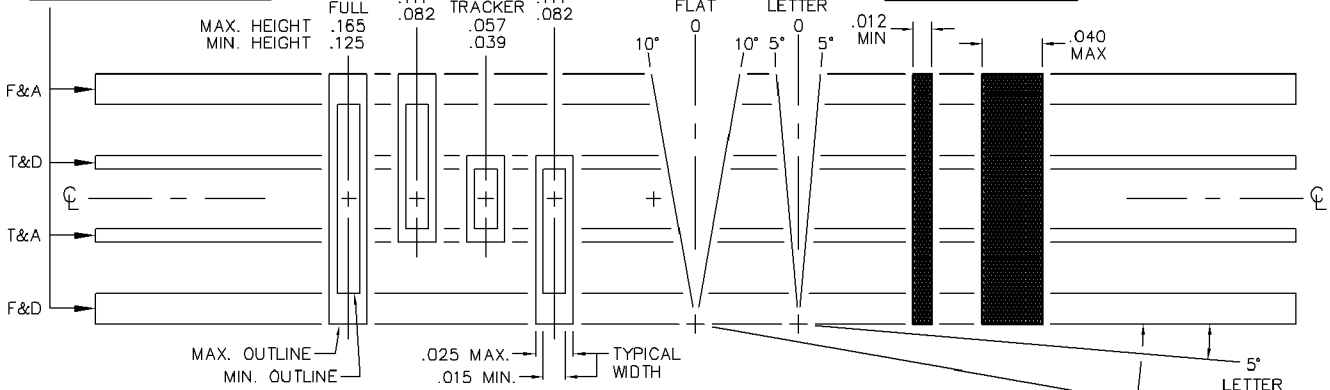


USPS Intelligent Mail® Barcode Tolerances

HORIZONTAL SPACING (BAR PITCH)



VERTICAL JITTER TOLERANCE ZONES



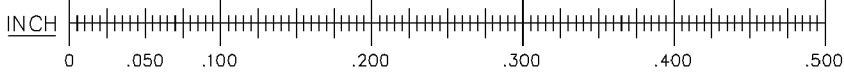
.005
DIV.

SPACE BETWEEN DOTS

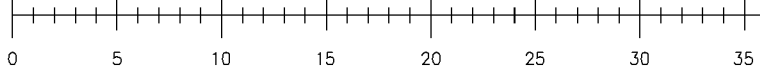
.010 MAX.

CODE SKEW

10°
FLAT
(RECOMMENDED)



POINT



.125
MIN. CLEARANCE
LEFT & RIGHT

.028 MIN. CLEARANCE
ABOVE & BELOW

DIMENSIONS ARE IN THOUSANDTHS OF AN INCH & TO CENTER OF LINES.



GAGE-LINE TECHNOLOGY, INC.

PH. 585-458-2000

www.gage-line.com/postal

CAT. NO. 100700 REV. C

COPYRIGHT © 2007 GAGE-LINE TECHNOLOGY, INC.

ALL RIGHTS RESERVED.

USPS & INTELLIGENT MAIL® ARE REGISTERED TRADEMARKS OF THE US POSTAL SERVICE.